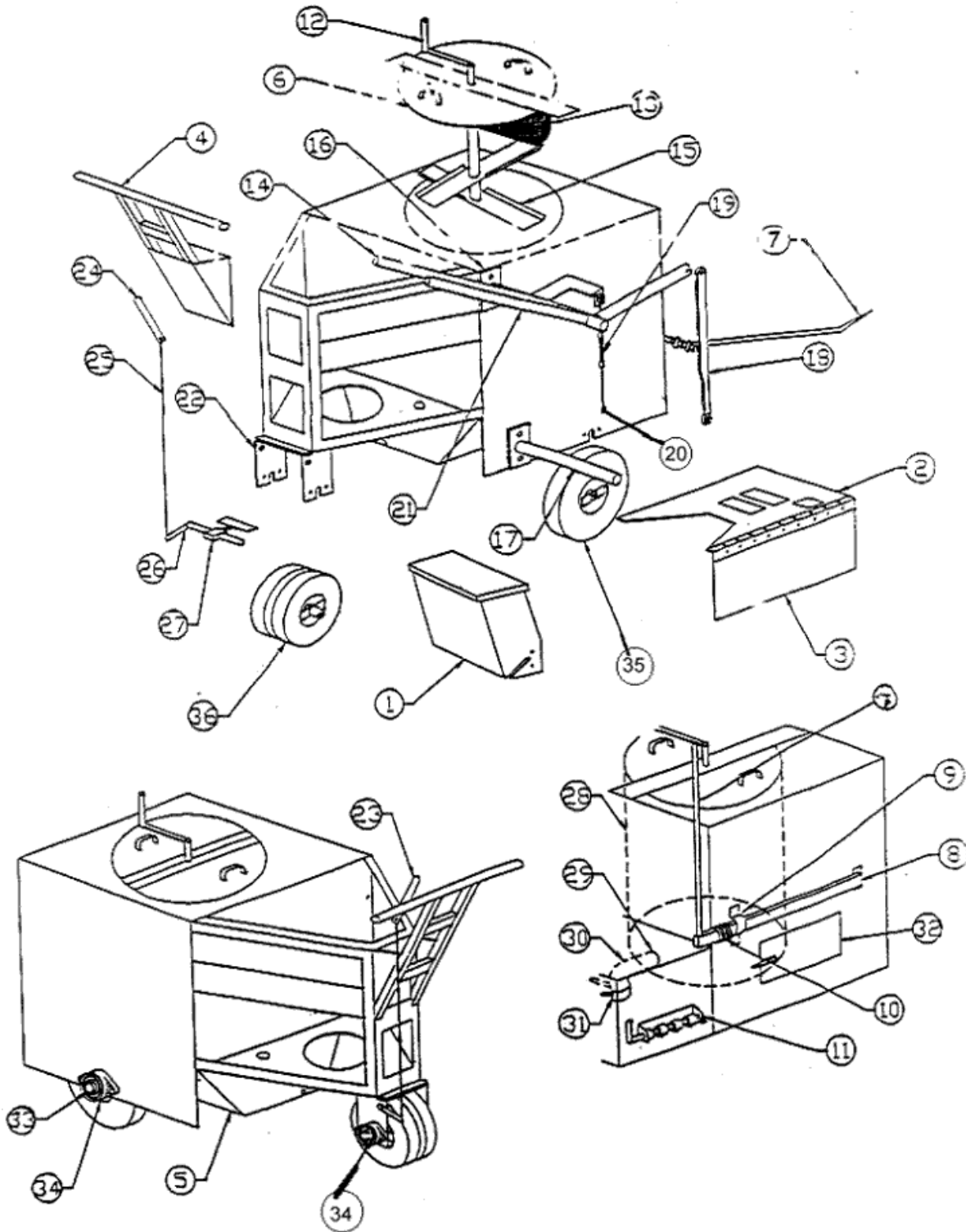


# HBM-4 Handliner



REMEMBER SAFETY AT ALL TIMES

		Handliner	
#	Part #	Parts List	Qty
1	HBM-001	Adjustable Width Glass Bead Dispenser	1
2/3	HBM-002A	Die Shroud Assembly With Door Installed	1
2	HBM-002	Die Shroud Body	1
3	HBM-003	Die Shroud Door With Hinge	1
4	HBM-004	Push Handle Assembly	1
5	HBM-005	Main Burner Shroud	1
6	HBM-006A	Material Pot Lid / Door Assembly	1
	HBM-006	2" Stainless Lid Hinge	1
7	HBM-007A	Pointer Assembly Complete With All Related Parts	1
	HBM-007B	Pointer Shaft (Pointed Shaft)	1
8	HBM-007D	Pointer Slide Tube (Bolts To Machine)	1
9	HBM-007C	Pointer Adjusting Shaft (Threaded Steel)	1
10	HBM-007F	Pointer Spring	1
11	HBM-011A	Die Retainer Assembly	1
	HBM-011L	Left-Hand Die Retainer Spring	1
	HBM-011R	Right-Hand Die Retainer Spring	1
12	HBM-012	Paddle Shaft Handle	1
13	HBM-013	Strainer Basket	1
14	HBM-014	Die Actuator Lever	1
15	HBM-015	Paddle Shaft Assembly	1
16	HBM-016	Die/Material Valve Lever Pivot Shaft	1
17	HBM-017	Beader Mount Pivot Shaft	1
18	HBM-018	Valve Linkage	1
19	HBM-019	Adjustable Die Linkage	1
20	HBM-020	Hitch Pin	1
21	HBM-021	Valve Actuator Lever	1
22	HBM-022	Rear Axle Mounting Bracket	1
	HBM-022S	Swivel Wheel with Brake & Mounting Plate (Optional)	1
23	HBM-023AN	Brake Assembly	1
24	HBM-023A	Brake Handle with Spacer Bolt	1
25	HBM-023B	Cable with spring and Eye Bolt	1
26	HBM-023C	Brake Pivot	1
27	HBM-023D	Brake Arm	1
28	HBM-028	Aluminum Material Tank W/O Elbow (Hole Drilled, Pivot In)	1
29	HBM-029	2" Aluminum 90 Degree Elbow	1
30	HBM-030	2" Material Pipe	1
	HBM-030C	2" Material Pipe Coupling	1
31	HBM-031	2" Long Handle Gate Valve	1
32	HBM-032	Main Burner Door Assembly	1
33	HBM-033A	Complete Front Axle Assembly (Inc Wheels, Axle & Bearings)	1
	HBM-033	Front Main Axle	1
34	HBM-034	2 Bolt Axle Bearing	2

REMEMBER SAFETY AT ALL TIMES

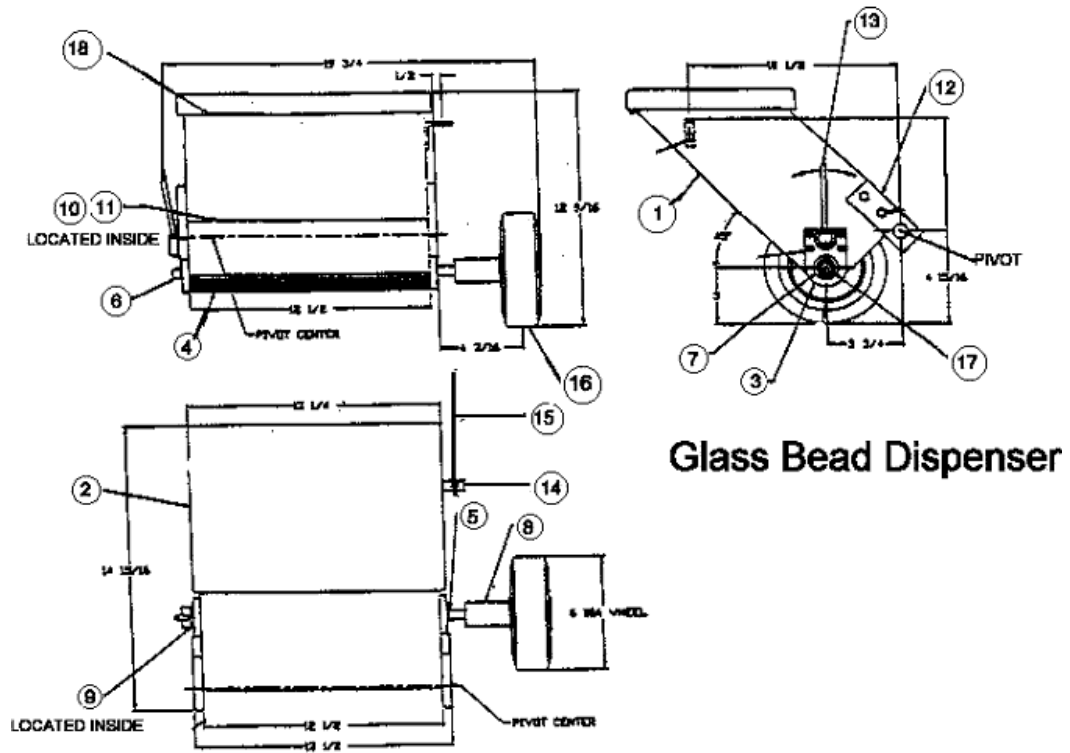
Handliner (cont)			
#	Part #	Parts List	Qty
36	HBM-036A	Rear Axle Assembly (Consist Of Two Wheels On Axle)	1
	HBM-036	Rear Axle	1
37	HBM-037	8" Rear Handliner Wheel	2
	HBM-039S	Set Of Handle Grips (2 Large & 2 Small)	1
	HBM-039	1" Handle Grips	2
	HBM-040	1-1/4" Handle Grips	2
	HBM-041	Die Housing Support	1
	HBM-042	Die Handle Latch With Bracket And Bolts	1
	HBM-043	Safety Decal (Set)	1
	HBM-044	Thermometer Guard	1
	HBM-045	Material Pot Door Safety Latch (All Door Latches)	2

**REMEMBER SAFETY AT ALL TIMES**

		Handliner	
#	Part #	LP Gas Parts List	Qty
1	NEC-001M	High Pressure LP Gas Hose For Manual Machine	1
2	NEC-001T	High Pressure LP Gas Hose For Thermostatic Machine	1
3	NEC-002	Main Burner Copper Tube Supply To Valve	1
4	NEC-003	Main Burner Copper Tube Valve to Burner	1
5	NEC-004	Die Burner Copper Tube	1
6	NEC-005	Manual Pot Burner With LPG Orifice & Inspirator	1
7	NEC-006	Main Pot Burner For Thermostatically Controlled Machine	2
8	NEC-006J	#638-72 LPG Gas Burner Jets	12
10	NEC-008A	Radiant Gas Burner Assembly ( Complete W/Manifold)	1
11	NEC-010A	Radiant Gas Burner Assembly	2
12	NEC-05	1 Rebuilt Radiant Gas Burner Assembly	1
16	NEC-008	Radiant Gas Manifold	1
17	NEC-009-V	Atmospheric Inspirator W/Orifice For Use W/LPG	1
18	NEC-009-0	#77 Orifice Only For Atmospheric Inspirator	1
19	NEC-019L	3" Adjustable Angle Thermometer W/18" Stem	1
20	NEC-020	H/L Insulation Replacement Kit	1
21	NEC021K	Radiant Valve Kit (contains all parts to update/install burners)	1
22	NEC-021	1/4" Female/Female Brass Cock Valve	1
23	NEC-022	1/4" Female/Female Brass Cock Valve Drilled	1
24	NEC-023	1/4" Brass Needle Valve	1
25	NEC-024	1/4" MPT x 3/8" OD Flare Adapter	1
26	NEC-025	3/8" MPT x 3/8" Flare Adapter	1
27	NEC-026	1/2 " MPT x 3/8" OD Flare Adapter	1
28	NEC-027	1/4" MPT x 3/8" OD Flare Adapter 90 Degree	1
29	NEC-028	3/8" x 3/8" OD Flare Adapter 90 Degree	1
30	NEC-029	3/8" OD Flare Nut	1
31	NEC-034A	1/4" Aluminum Tube W/Fitting (Pilot to Pilot Safety)	1
32	NEC-035	Pilot Burner (Kit)	1
33	NEC-036	Pilot Safety Valve (drilled at factory for R/L hand application)	1
34	NEC-037	Y-200 Regulator (On Thermostatic Applicator Only)	1
35	NEC-038-2020	Thermostatic Control With Knob	1

REMEMBER SAFETY AT ALL TIMES

# Handliner Bead Dispenser HBM-001



REMEMBER SAFETY AT ALL TIMES

Bead Dispenser			
#	Part #	Parts List	Qty
1	DAT-001	Main Bead Box ( Bead Box Housing Only)	1
2	DAT-002	Bead Box Lid	1
3	DAT-003	Bead Box Bearing Block	2
4	DAT-004	Bead Feed Roller	1
5	DAT-005	Bead Box Long Axle	1
6	DAT-006	Bead Box Short Axle	1
7	DAT-007	Bead Box Roller Washer	2
8	DAT-008	Bead Box Wheel Adapter (Sold As Part Of # 16)	1
9	DAT-009	Bead Box Adjustment Shaft Assembly**	1
10	DAT-010	Bead Box Urethane Flap Retainer	2
11	DAT-011K	Bead Box Urethane Flap Kit (2 Flaps & 2 Ends) Specify 12"-13"	1
12	DAT-012	Bead Box Mounting Tab	2
13	DAT-013	Bead Box Adjustment Handle	1
14	DAT-014	Bead Box "L" Bracket	1
15	DAT-015	Bead Box Actuating Rod	1
16	DAT-016	6" Plain Bore Wheel (Sold W/DAT-008 Adapter Installed)	1
17	DAT-017	Feed Roller Bearing	1
18	DAT-018	Stainless Steel Piano Hinge 2" x 12" (Per Foot)	1
		Items 19 Through 24 Can Be Purchased Locally	
19	DAT-019	Roll Pin 1/8" x 1-1/4" Long	1
20	DAT-020	6-32 x 3/8" Flat Head Screws & Nut	12
21	DAT-021	10-32 x 3/8" Round Head Screw	2
22	DAT-022	10-32 x 1/2" Round Head Screw	20
23	DAT-023	1/4"-20 x 1" Hex Head Cap Screw	4
24	DAT-024	1/4"-20 x 3/4" Hex Head Cap Screw	1
25	DAT-025	O-Ring Adjustment Shaft	2
		Note: ** Denotes Assembled At Factory	

REMEMBER SAFETY AT ALL TIMES