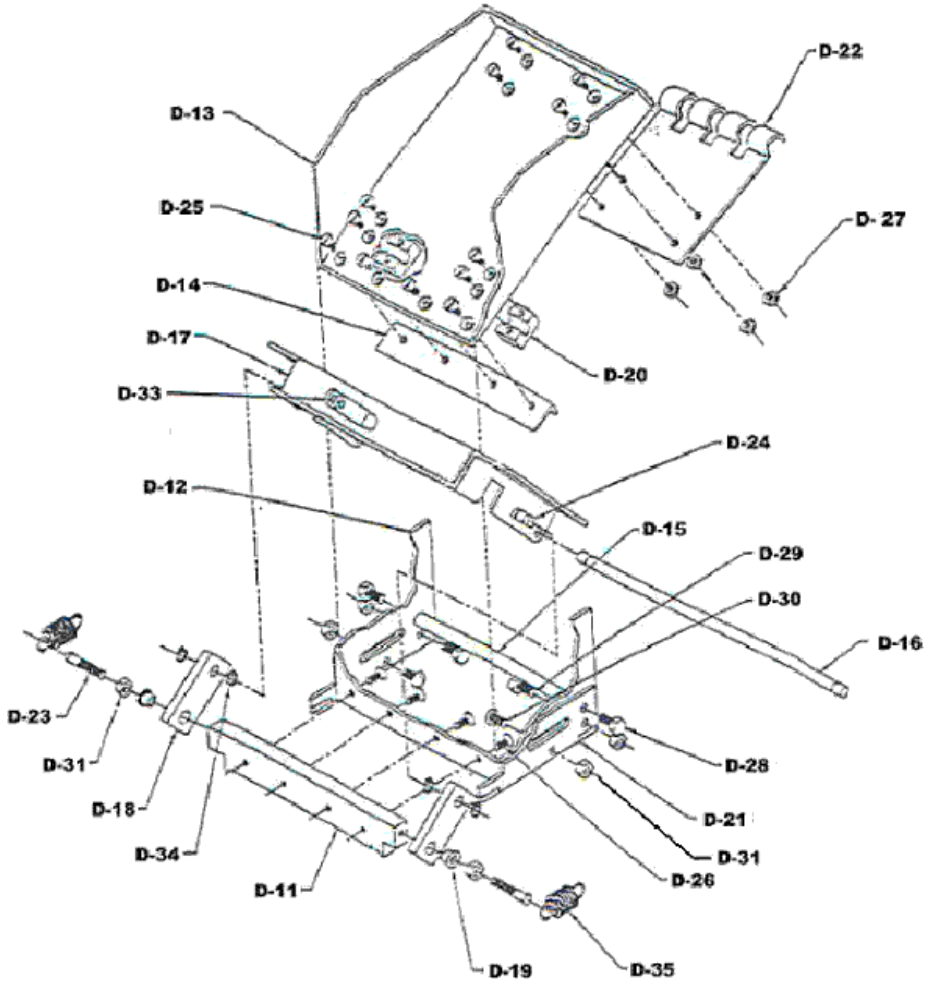


Handliner Die



REMEMBER SAFETY AT ALL TIMES

Die Parts List		
Part #	Width	Description
D11-04	4"	Screed Millage Bar
D11-05	5"	Screed Millage Bar
D11-06	6"	Screed Millage Bar
D11-08	8"	Screed Millage Bar
D11-09	9"	Screed Millage Bar
D11-10	10"	Screed Millage Bar
D11-12	12"	Screed Millage Bar
D12-04	4"	Outer Shoe
D12-05	5"	Outer Shoe
D12-06	6"	Outer Shoe
D12-08	8"	Outer Shoe
D12-09	9"	Outer Shoe
D12-10	10"	Outer Shoe
D12-12	12"	Outer Shoe
D13-04	4"	Inner Shoe
D13-05	5"	Inner Shoe
D13-06	6"	Inner Shoe
D13-08	8"	Inner Shoe
D13-09	9"	Inner Shoe
D13-10	10"	Inner Shoe
D13-12	12"	Inner Shoe
D14-04	4"	Inner Shoe Support Angle
D14-05	5"	Inner Shoe Support Angle
D14-06	6"	Inner Shoe Support Angle
D14-08	8"	Inner Shoe Support Angle
D14-09	9"	Inner Shoe Support Angle
D14-10	10"	Inner Shoe Support Angle
D14-12	12"	Inner Shoe Support Angle
D15-04	4"	Outer Shoe Spacer
D15-05	5"	Outer Shoe Spacer
D15-06	6"	Outer Shoe Spacer
D15-08	8"	Outer Shoe Spacer
D15-09	9"	Outer Shoe Spacer
D15-10	10"	Outer Shoe Spacer
D15-12	12"	Outer Shoe Spacer

REMEMBER SAFETY AT ALL TIMES

Die Parts List (cont)		
Part #	Width	Description
Note: Items D25 – D32 Can Be Purchased From Your Local Supplier		
D25		10-32 x 1/4" Flat Head Screw
D26		10-32 x 1/2" Flat Head Screw
D27		10-32 Nuts (Box Of 100)
D28		1/4-20 x 5/8 Hex Head Screw
D29		1/4-20 x 1/2 Hex Head Screw
D30		1/4-20 1/2 Round Head Screw
D31		1/4-20 Hex Nuts (Box Of 100)
D32		1/4-28 x 1/2 Hex Head Screw
D33		Clevis
D34		C-Clip
D35		Die Springs (2 Per Die)

REMEMBER SAFETY AT ALL TIMES